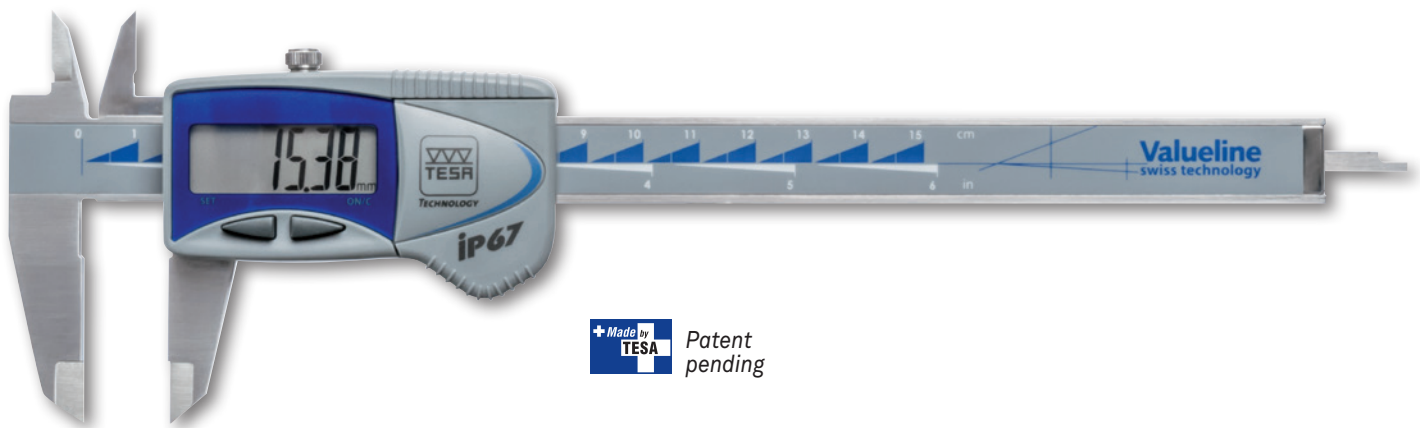


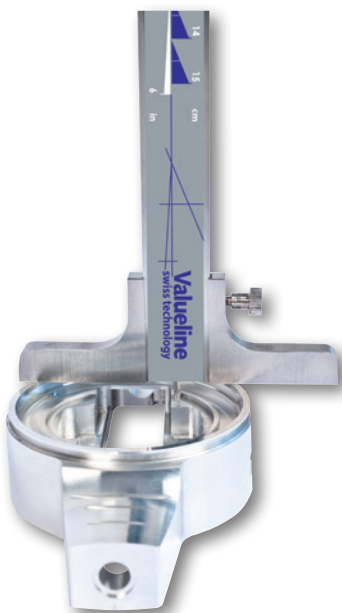
Electronic Calipers

- 150 mm / 6 in
- 200 mm / 8 in
- 300 mm / 12 in

VALUELINE IP67



 Patent pending

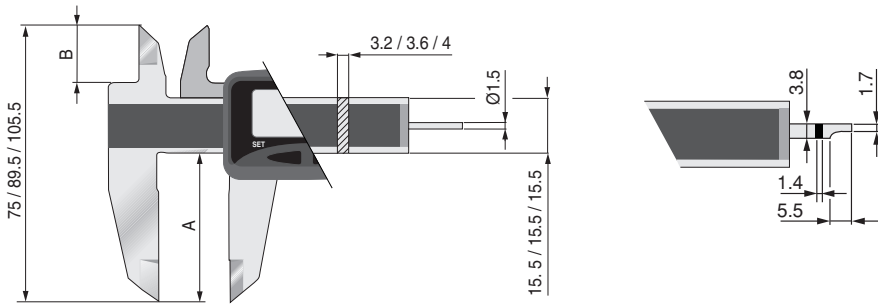
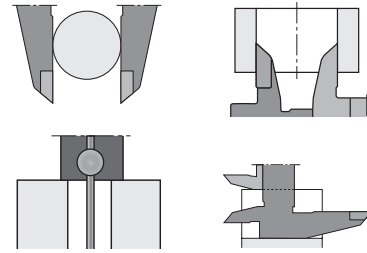


UNIQUE FEATURES:

- IP67 TOTAL PROTECTION AGAINST DUST AND LIQUIDS
- BIGGEST LCD DISPLAY EVER WITH 11 MM DIGIT HEIGHT
- UP TO 2 YEARS AUTONOMY
- ABS AND REL MEASURING MODE
- ROUND OR RECTANGULAR DEPTH ROD
- COMPLIANT WITH ISO 13385-1 STANDARD
- 150 MM TO 300 MM MODELS WITH THUMB WHEEL
- DESIGNED BY TESA

TECHNICAL SPECIFICATIONS

Order number	Measuring range	Depth Rod	Thumb wheel	Dimensions, mm	
				A	B
00539390	150 mm / 6 in	■	-	40	16
00539391	150 mm / 6 in	●	✓	40	16
00539392	200 mm / 8 in	■	✓	50	20
00539393	300 mm / 12 in	■	✓	64	22



TECHNICAL DATA

Measuring span	150 mm / 6 in – 200 mm / 8 in – 300 mm / 12 in
Resolution	0,01 mm / .0005 in
Repeatability	0,01 mm
Max. permissible error	0,02 mm per 100 mm, 0,03 mm above. In case of inversion of measurement direction or the use of depth rod, these values are increased by 0,02 mm
Display	Large LCD display, 11 mm digit height
Degree of protection	IP67 (CEI / IEC 60529)
Maximal moving speed	2,5 m/s
Temperature limit for use and service	10°C to 40°C
Maximum working humidity	100%
Power supply	CR2032 3V
Autonomy	1,5 to 2 years
Material	Stainless steel
Weight	150 mm: 150 g – 200 mm: 200 g – 300 mm: 280 g
Norm	ISO 13385-1
Directive compliance	REACH, according to 1907/2006/CE EMC, according to 2004/108/CE DEEE, according to 2002/96/CE ROHS, according to 2002/95/CE



Wheel available for 150 mm, 200 mm and 300 mm models

WWW.TESAGROUP.COM

TESA SA Switzerland
Bugnon 38
CH-1020 Renens
Vente Suisse
Tél. +41 (0)21 633 16 00
Fax +41 (0)21 633 17 57
tesa-ventech@hexagonmetrology.com

TESA FRANCE SAS
2, rue Antoine Lavoisier
Pôle Lavoisier – bâtiment A
F-54300 MONCEL-lès-LUNEVILLE
Tél. +33 (0)3 83 76 83 76
Fax +33 (0)3 83 74 13 16
tesa-france@hexagonmetrology.com

TESA Technology Deutschland GmbH
Netzstraße 32
D-71638 Ludwigsburg
Tél. +49 (0)7141 8747 0
Fax +49 (0)7141 8747 88
tesa-de@hexagonmetrology.com

TESA Technology UK Ltd.
Metrology House
Halesfield 13
GB-Telford, Shrops.TF7 4PL
Tél. +44 1952 681 349
Fax +44 1952 681 391
tesa-uk@hexagonmetrology.com

TESA Technology ITALIA s.r.l.
Via Bizzozzero, 118
IT-20032 Cormano (MI)
Tél. +39 02 663 053 69
Fax +39 02 663 090 82
tesa-italia@hexagonmetrology.com

TESA Technology Ibérica
Av. de Vizcaya s/n
Apart. 202
ES-48260 Ermua
Tél. +34 943 170 340
Fax +34 943 172 092
tesa-iberica@hexagonmetrology.com

TESA Benelux
Van Elderenlaan 1
NL-5581 WJ Waalre
Tél. +31 (0)40 222 06 08
Fax +31 (0)40 222 17 16
tesa-benelux@hexagonmetrology.com

TESA SA – Bugnon 38 – CH-1020 Renens – Switzerland – Tel. +41(0)21 633 16 00 – Fax +41(0)21 635 75 35 – www.tesagroup.com – tesa-info@hexagonmetrology.com